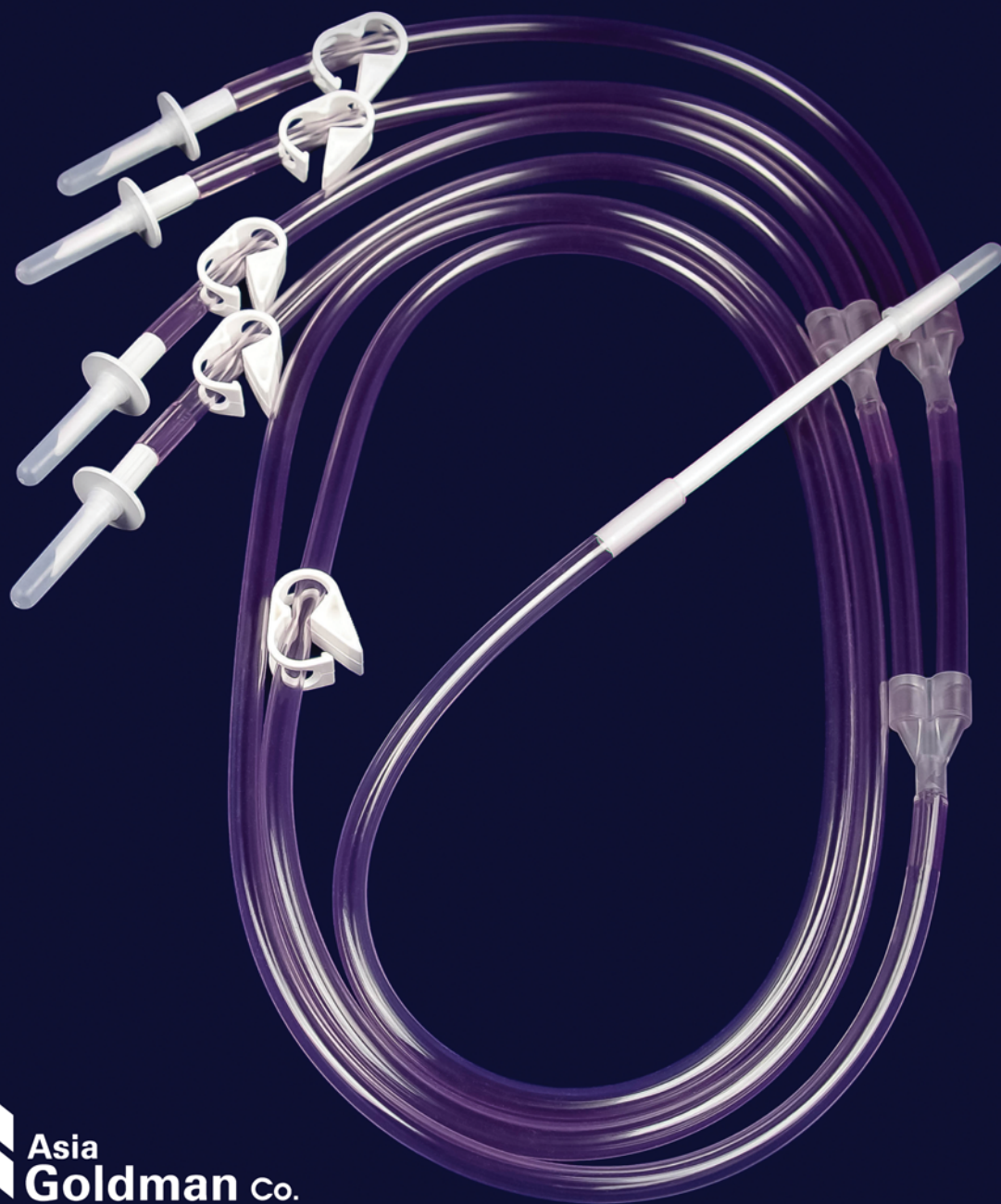


IRRIGATION

A UNIQUE AND INNOVATIVE DESIGN



Asia
Goldman co.
Medical Equipment



Asia Goldman is proud to share its highly valued strategic viewpoint

Mission

Designing and manufacturing of safe and functional medical fluid transfer devices.

Vision

To become the leader of surgery and healthcare in the region.

To fulfill worldwide medical demands with our competitive advantage
in reference to our products.



After many years of experience and expertise in distribution of professional & specialized medical devices, Asia Goldman has run its high-tech production facility in Tehran. Asia Goldman has been able to attract attention of well-known international companies in the medical industry. In 2016, the company obtained ISO 13485:2016 and ISO 9001:2015 certificates for its products.

Asia Goldman was founded in 1985 in Tehran, Iran entitled "Goldman Medical Products". Based on the long-term viewpoint of the company to enter the world markets, "Goldman Medical Products" continued working as "Asia Goldman" from 2003. Subsequently, "Asia Goldman" expanded its domain more and more and entered the field of importing and distributing of high quality products in some specific fields such as: General and Plastic surgery, ENT, Ortho and Radiotherapy, Neurosurgery, etc.

After a long and profound presence in the area of distribution and considering the potentials of Iran's market, Asia Goldman's well-established network, emergence of indigenous ideas and intelligent specialists and also the need for propelling the country's economy, we decided to establish our own production facility in a 3200 Square meters land located in Shams-Abad Industrial city near Tehran, Iran. It was built according to the highest worldwide standards which attracted much attention from a cluster of leaders in the medical industry.



Surgery Irrigation Set (Single-Lead)

Code: IS1A1



Non-Vented Perforator, Click Clamp, Malleable Tube,
270 cm, Internal Diameter: 4.8 mm, Shelf life: 3 years, 30/Box

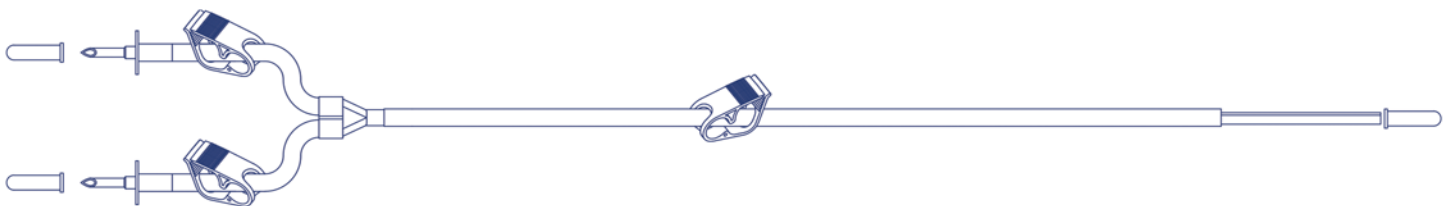
Surgery Irrigation Set Rapid Flow (Single-Lead) Code: IS1B1



Non-Vented Perforator, Click Clamp, Malleable Tube, Hand Pump,
270 cm, Internal Diameter: 4.8 mm, Shelf life: 3 years, 30/Box

Surgery Irrigation Set (Y-Type)

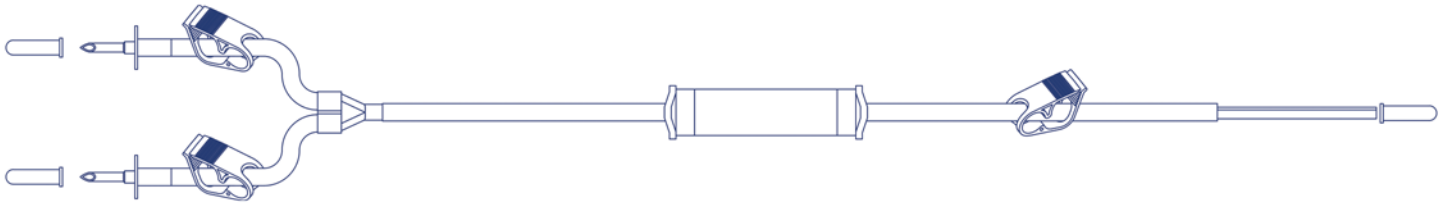
Code: IS2A1



Non-Vented Perforator x2, Click Clamp x3, Malleable tube, Y Connector,
270 cm, Internal Diameter: 4.8 mm, Shelf life: 3 years, 30/Box

Surgery Irrigation Set Rapid Flow (Y-Type)

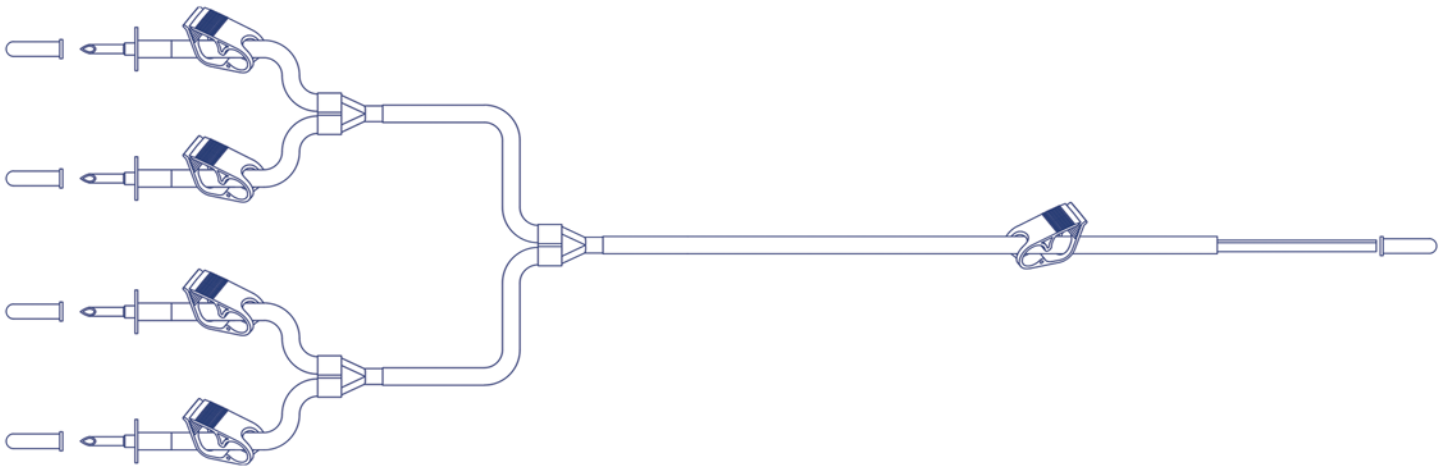
Code: IS2B1



Non-Vented Perforator x2, Click Clamp x3, Malleable tube, Hand Pump, Y Connector,
270 cm, Internal Diameter: 4.8 mm, Shelf life: 3 years, 30/Box

Surgery Irrigation Set (4-Lead)

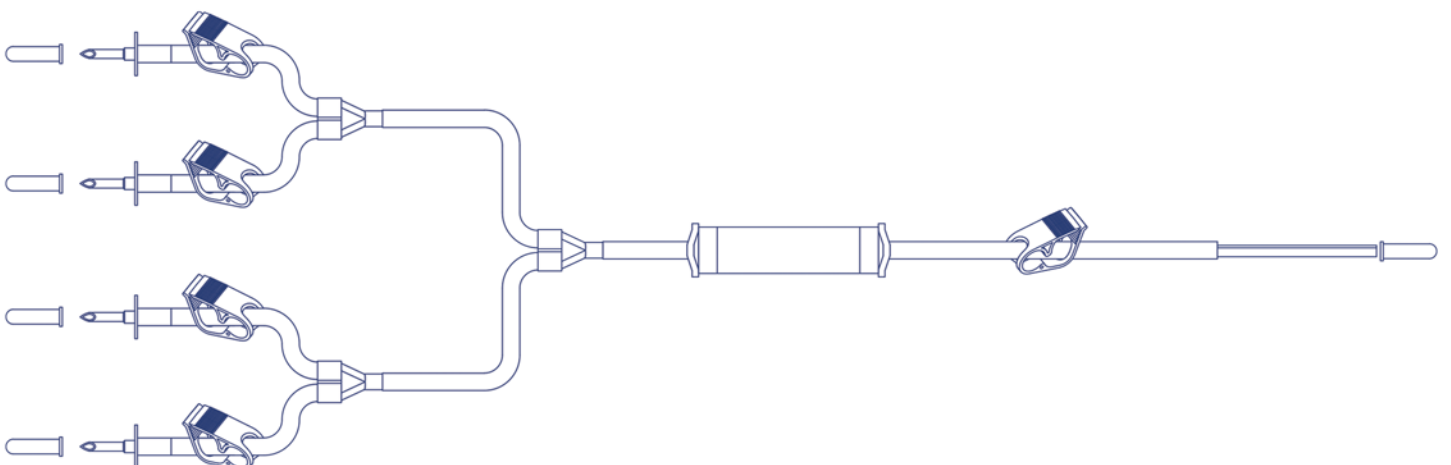
Code: IS4A1



Non-Vented Perforator x4, Click Clamp x5, Malleable tube, Y Connector x3,
270 cm, Internal Diameter: 4.8 mm, Shelf life: 3 years, 25/Box

Surgery Irrigation Set Rapid Flow (4-Lead)

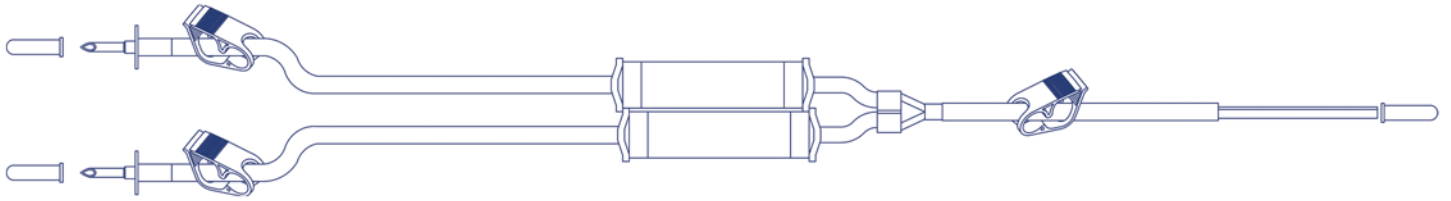
Code: IS4B1



Non-Vented Perforator x4, Click Clamp x5, Malleable tube, Hand Pump, Y Connector x3,
270 cm, Internal Diameter: 4.8 mm, Shelf life: 3 years, 25/Box

Surgery Irrigation Set Rapid Flow (Y-Type)

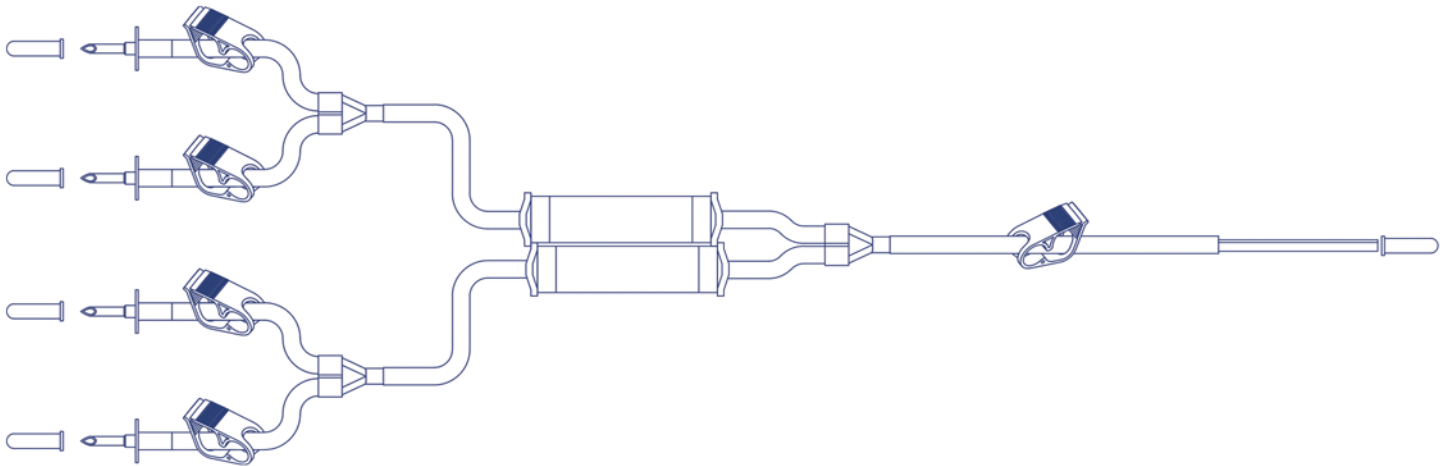
Code: IS2B2



Non-Vented Perforator x2, Click Clamp x3, Malleable tube, Hand Pump x2, Y Connector, 270 cm, Internal Diameter: 4.8 mm, Shelf life: 3 years, 30/Box

Surgery Irrigation Set Rapid Flow (4-Lead)

Code: IS4B2



Non-Vented Perforator x4, Click Clamp x5, Malleable tube, Hand Pump x2, Y Connector x3, 270 cm, Internal Diameter: 4.8 mm, Shelf life: 3 years, 25/Box

Surgery Irrigation Set (Single-Lead)	Code: IS1A1
Surgery Irrigation Set Rapid Flow (Single-Lead)	Code: IS1B1
Surgery Irrigation Set (Y-Type)	Code: IS2A1
Surgery Irrigation Set Rapid Flow (Y-Type)	Code: IS2B1
Surgery Irrigation Set (4-Lead)	Code: IS4A1
Surgery Irrigation Set Rapid Flow (4-Lead)	Code: IS4B1
Surgery Irrigation Set Rapid Flow (Y-Type)	Code: IS2B2
Surgery Irrigation Set Rapid Flow (4-Lead)	Code: IS4B2

T.U.R Irrigation Set (Single-Lead)

Code: IT1A1



Non-Vented Perforator, Click Clamp, Stepped Connector with Silicone Tubing Adaptor,
270 cm, Internal Diameter: 3.5 mm, Shelf life: 3 years, 30/Box

T.U.R Irrigation Set Rapid Flow (Single-Lead)

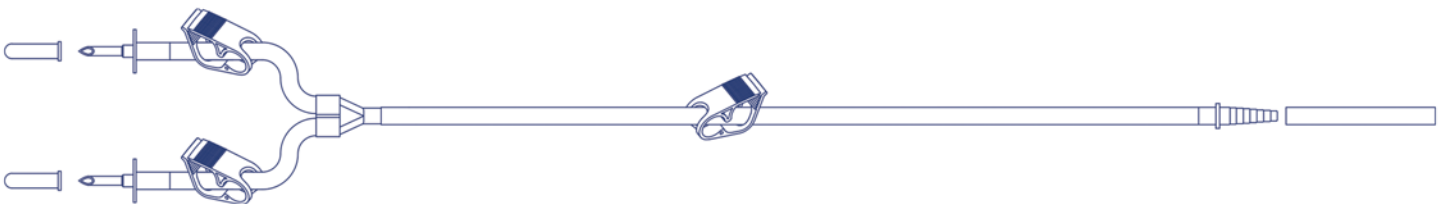
Code: IT1B1



Non-Vented Perforator, Click Clamp, Stepped Connector with Silicone Tubing Adaptor, Hand Pump,
270 cm, Internal Diameter: 3.5 mm, Shelf life: 3 years, 30/Box

T.U.R Irrigation Set (Y-Type)

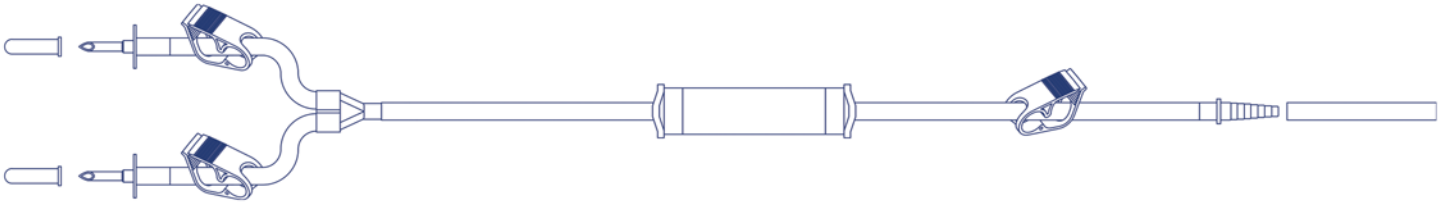
Code: IT2A1



Non-Vented Perforator x2, Click Clamp x3, Stepped Connector with Silicone Tubing Adaptor, Y Connector,
270 cm, Internal Diameter: 3.5 mm, Shelf life: 3 years, 30/Box

T.U.R Irrigation Set Rapid Flow (Y-Type)

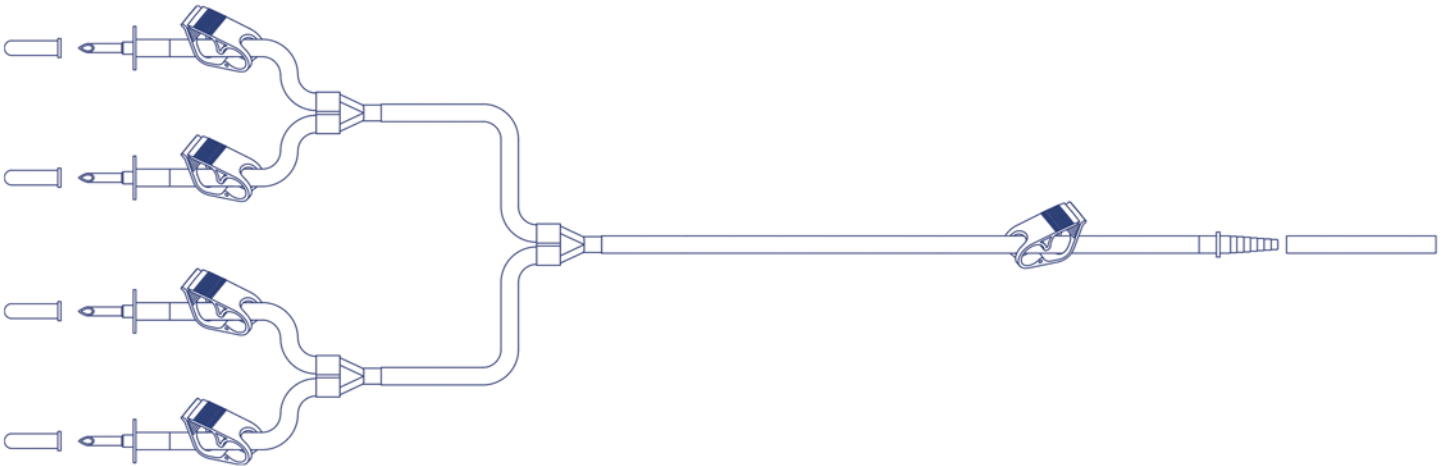
Code: IT2B1



Non-Vented Perforator x2, Click Clamp x3, Stepped Connector with Silicone Tubing Adaptor , Hand Pump, Y Connector, 270 cm, Internal Diameter: 3.5 mm, Shelf life: 3 years, 30/Box

T.U.R Irrigation Set (4-Lead)

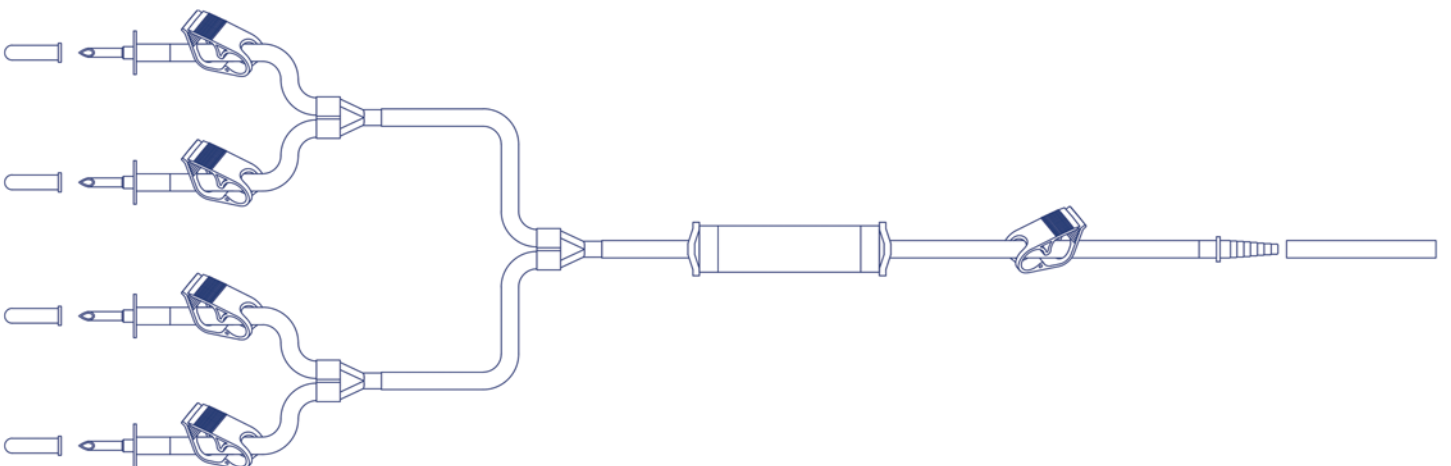
Code: IT4A1



Non-Vented Perforator x4, Click Clamp x5, Stepped Connector with Silicone Tubing Adaptor, Y Connector x3, 270 cm, Internal Diameter: 3.5 mm , Shelf life: 3 years, 25/Box

T.U.R Irrigation Set Rapid Flow (4-Lead)

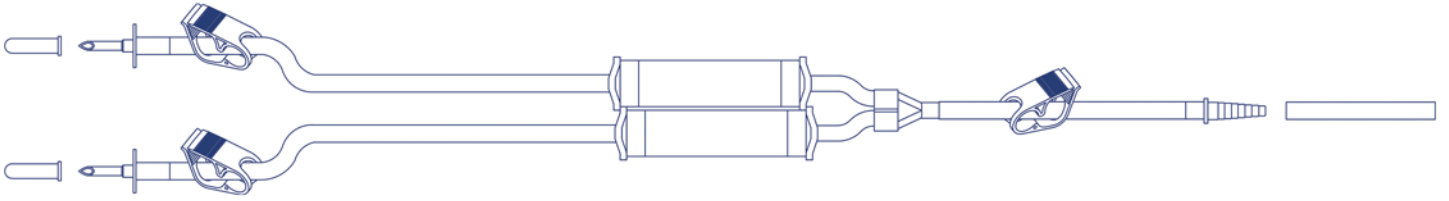
Code: IT4B1



Non-Vented Perforator x4, Click Clamp x5, Stepped Connector with Silicone Tubing Adaptor, Hand Pump, Y Connector x3, 270 cm, Internal Diameter: 3.5 mm, Shelf life: 3 years, 25/Box

T.U.R Irrigation Set Rapid Flow (Y-Type)

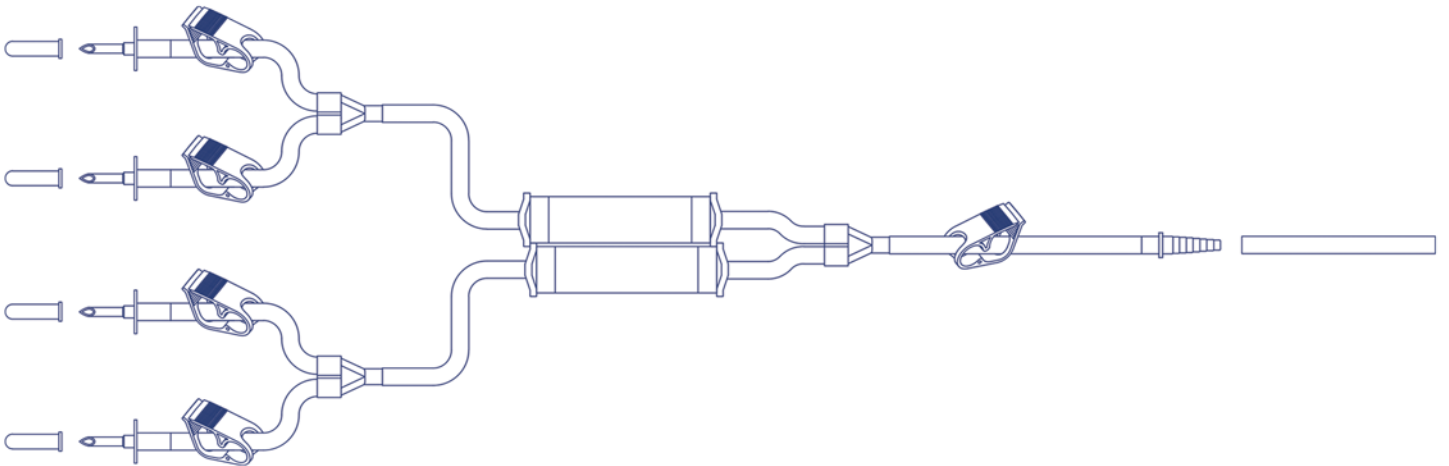
Code: IT2B2



Non-Vented Perforator x2, Click Clamp x3, Stepped Connector with Silicone Tubing Adaptor, Hand Pump x2, Y Connector, 270 cm, Internal Diameter: 3.5 mm, Shelf life: 3 years, 30/Box

T.U.R Irrigation Set Rapid Flow (4-Lead)

Code: IT4B2



Non-Vented Perforator x 4, Click Clamp x5, Stepped Connector with Silicone Tubing Adaptor, Hand Pump x2, Y Connector x3, 270 cm, Internal Diameter: 3.5 mm, Shelf life: 3 years, 25/Box

T.U.R Irrigation Set (Single-Lead)	Code: IT1A1
T.U.R Irrigation Set Rapid Flow (Single-Lead)	Code: IT1B1
T.U.R Irrigation Set (Y-Type)	Code: IT2A1
T.U.R Irrigation Set Rapid Flow (Y-Type)	Code: IT2B1
T.U.R Irrigation Set (4-Lead)	Code: IT4A1
T.U.R Irrigation Set Rapid Flow (4-Lead)	Code: IT4B1
T.U.R Irrigation Set Rapid Flow (Y-Type)	Code: IT2B2
T.U.R Irrigation Set Rapid Flow (4-Lead)	Code: IT4B2

Arthroscopy Irrigation Set (Single-Lead)

Code: IA1A1



Non-Vented Perforator, Click Clamp, Stepped Connector with Silicone Tubing Adaptor, Male Luer Lock with Rotating Collar, 270 cm, Internal Diameter: 2 mm, Shelf life: 3 years, 30/Box

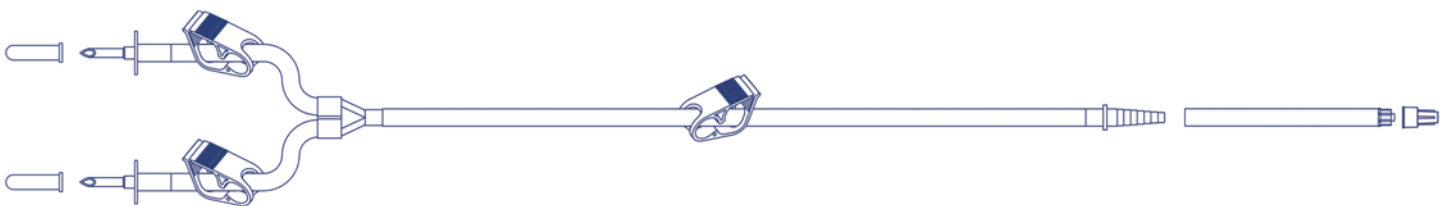
Arthroscopy Irrigation Set Rapid Flow (Single-Lead) Code: IA1B1



Non-Vented Perforator, Click Clamp, Hand Pump, Stepped Connector with Silicone Tubing Adaptor, Male Luer Lock with Rotating Collar, 270 cm, Internal Diameter: 2 mm, Shelf life: 3 years, 30/Box

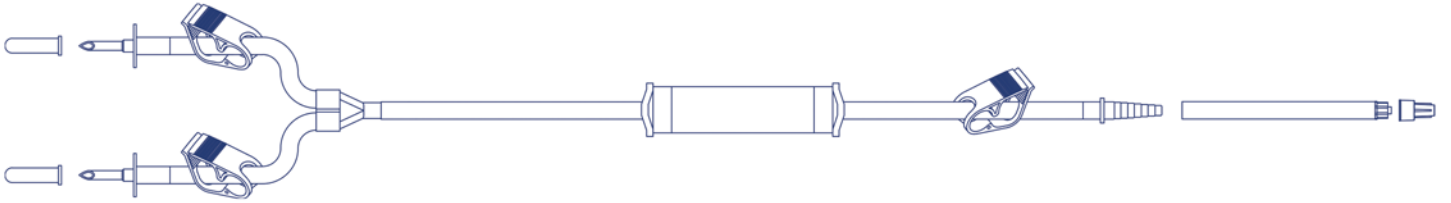
Arthroscopy Irrigation Set (Y-Type)

Code: IA2A1



Non-Vented Perforator x2, Click Clamp x3, Stepped Connector with Silicone Tubing Adaptor, Male Luer Lock with Rotating Collar, 270 cm, Internal Diameter: 2 mm, Shelf life: 3 years, 30/Box

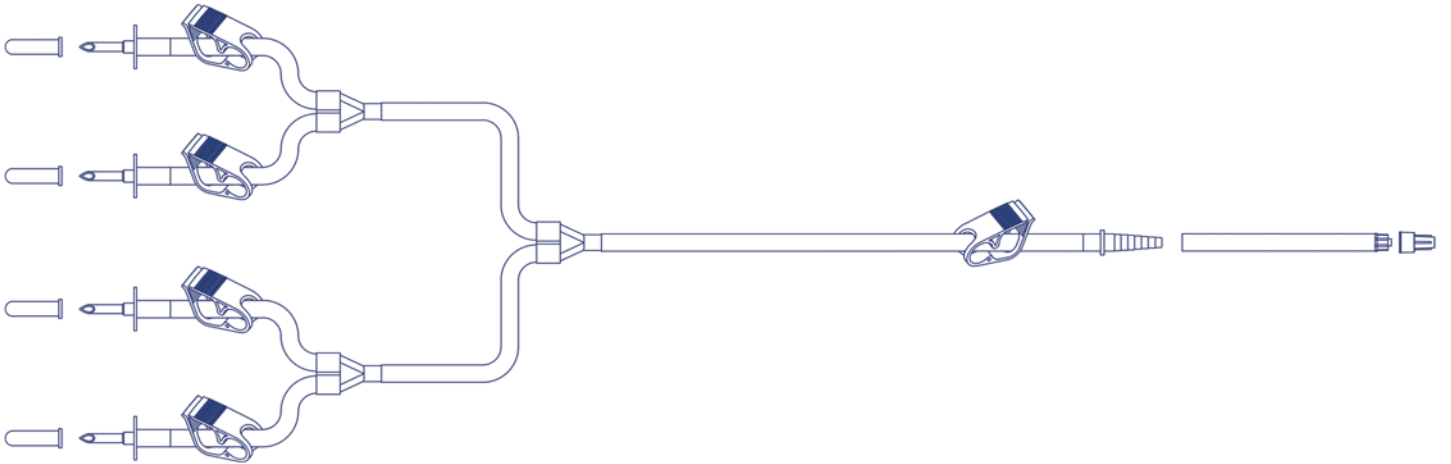
Arthroscopy Irrigation Set Rapid Flow (Y-Type) Code: IA2B1



Non-Vented Perforator x2, Click Clamp x3, Hand Pump, Stepped Connector with Silicone Tubing Adaptor, Male Luer Lock with Rotating Collar, Y Connector, 270 cm, Internal Diameter: 2 mm, Shelf life: 3 years, 30/Box

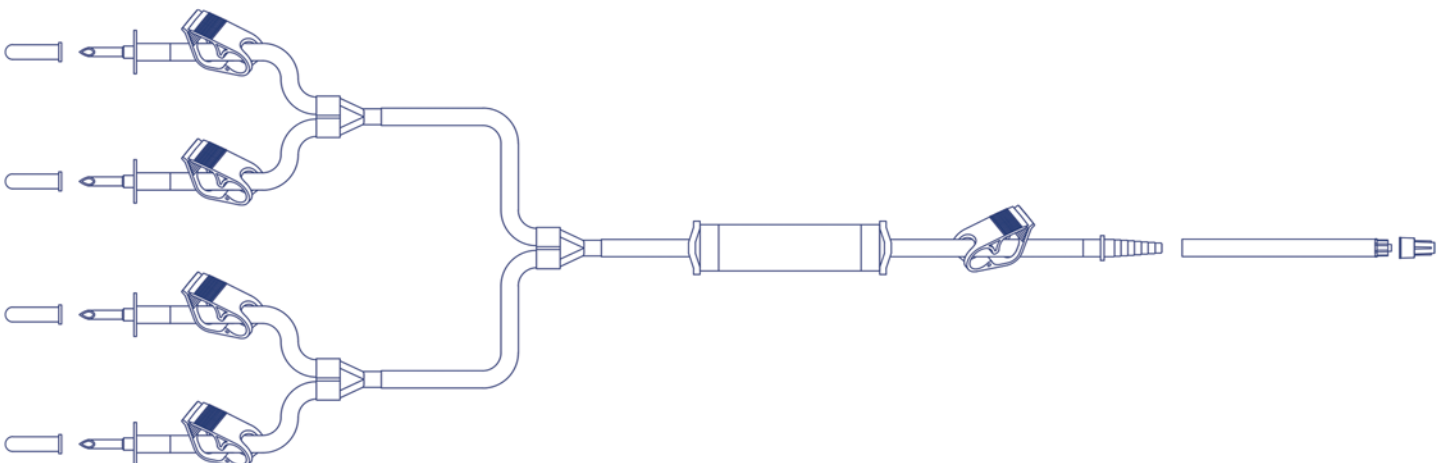
Arthroscopy Irrigation Set (4-Lead) Code: IA4A1

Code: IA4A1



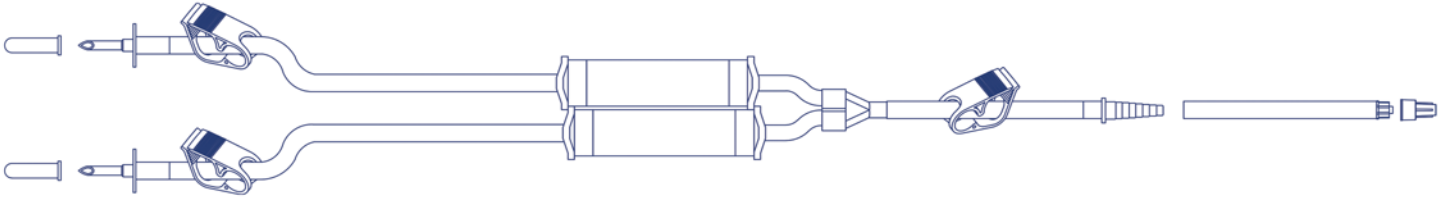
Non-Vented Perforator x4, Click Clamp x5, Stepped Connector with Silicone Tubing Adaptor, Male Luer Lock with Rotating Collar, Y Connector x3, 270 cm, Internal Diameter: 2 mm, Shelf life: 3 years, 25/Box

Arthroscopy Irrigation Set Rapid Flow (4-Lead) Code: IA4B1



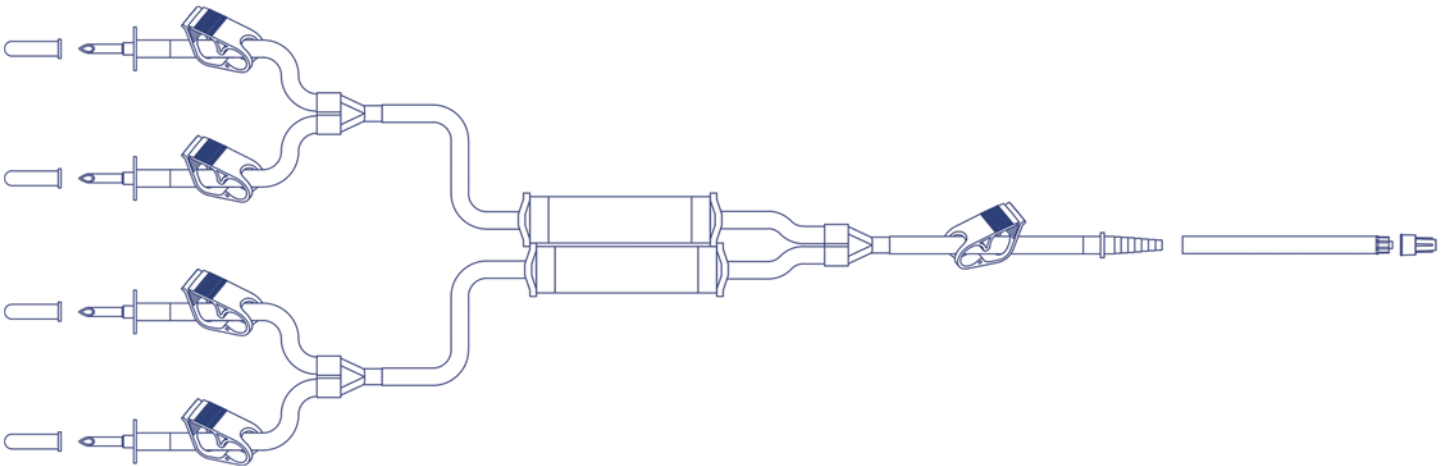
Non-Vented Perforator x4, Click Clamp x5, Hand Pump, Stepped Connector with Silicone Tubing Adaptor, Male Luer Lock with Rotating Collar, Y Connector x3, 270 cm, Internal Diameter: 2 mm, Shelf life: 3 years, 25/Box

Arthroscopy Irrigation Set Rapid Flow (Y-Type) Code: IA2B2



Non-Vented Perforator x2, Click Clamp x3, Hand Pump x2, Stepped Connector with Silicone Tubing Adaptor, Male Luer Lock with Rotating Collar, Y Connector, 270 cm, Internal Diameter: 2 mm, Shelflife: 3years, 30/Box

Arthroscopy Irrigation Set Rapid Flow (4-Lead) Code: IA4B2



Non-Vented Perforator x4, Click Clamp x5, Hand Pump x2, Stepped Connector with Silicone Tubing Adaptor, Male Luer Lock with Rotating Collar, 270 cm, Internal Diameter: 2 mm, Shelflife: 3 years, 25/Box

Arthroscopy Irrigation Set (Single-Lead)	Code: IA1A1
Arthroscopy Irrigation Set Rapid Flow(Single-Lead)	Code: IA1B1
Arthroscopy Irrigation Set (Y-Type)	Code: IA2A1
Arthroscopy Irrigation Set Rapid Flow (Y-Type)	Code: IA2B1
Arthroscopy Irrigation Set (4-Lead)	Code: IA4A1
Arthroscopy Irrigation Set Rapid Flow (4-Lead)	Code: IA4B1
Arthroscopy Irrigation Set Rapid Flow (Y-Type)	Code: IA2B2
Arthroscopy Irrigation Set Rapid Flow (4-Lead)	Code: IA4B2



www.asiagoldman.com
info@asiagoldman.com

No17, Nejad Kay St

Mirzay-e-Shiraz Ave

T e h r a n - I r a n

Tel:+98 21 88836643

fax:+98 21 86073395

تهران خیابان میرزای شیرازی

خیابان نژادکی پلاک ۱۷

تلفن : ۴۳ ۶۶ ۸۳ ۸۸

فکس : ۹۵ ۳۳ ۰۷ ۸۶

Distributed by :

